

# Bane-Clene®

Connects to your solution hose, automatically draws prespray concentrate from a 5-quart container, and sprays at your cleaning temperature for maximum effectiveness. Cut application time in half. Perfect for applying **Bane-Clene Olefin Pre-Conditioner**, **Pro-Zyme**, **Preface®** and **TLS® 2000**.

Increases speed and efficiency; requires no hand pumping; requires no electric cords; applies prespray hot; requires no mixing.

Comes with two 5-quart empty jugs.

Extra empty jugs with caps, also available, make the sprayer even more versatile by making it easy to switch products.

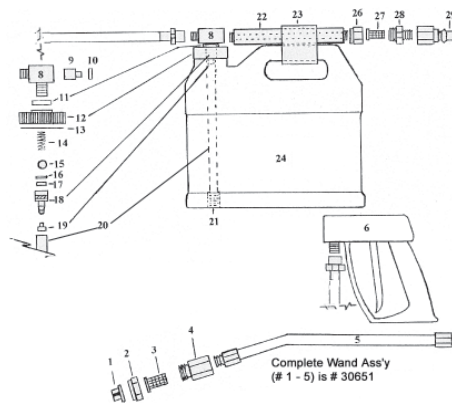
**Maintenance procedures on next page.**

**Note: Requires 1 each Male Coupler #21100 and Bushing #20320 to adapt directly to the Bane-Clene solution line. Purchased separately.**

## Injection Sprayer



**Injection Sprayer**  
**Catalog No. 30650**  
**5-Quart Jug with Cap**  
**Catalog No. 30652**



#	Part Number	Description
1 thru 5	30651	Complete Wand
1	TPU6506	Brass T-Jet
2	CP1325	Brass Cap
3	30665	4193A-10-50SS SS Strainer/Check
4	30242	Brass Body-1
5	31205	JSS18 3/8" SS Wand
6	30656	Gunjet 50
6	30655	Steel upgrade
6A	30659	Gunjet Repair Kit
6B	31206	CP7490 Seat&Nut
7	30647	JHP3000 HI-Pres Hose
8	30658	J797 Dema Valve (#8-11, 14-19)
8A	30657	J797 Repair (#14-17) (#14 - 17)
9	31209	J24-8-1 Water Nozzle with "O"ring
10	31210	J24-31-8 B/U Washer
11	31211	J79-8-1 "O" Ring
12	31212	J97-21 Bottle Cap
13	31213	J79-6 Cap Liner
14	31214	J24-23 SS Spring
15	31215	J24-24S SS Ball
16	31216	J25-27 Spacer, Clear
17	31217	J24-25V "O" Ring (in #18)
18	31218	J24-26L-5 Metering Knob
19	31219	J100-15-10 Yellow Metering Tip
19A	30654	Metering Tips
20	31220	JUR8.5 Urethane Tube
21	30669	SS/Brass Strainer
22	31222	J7 Insulated Handle
23	31223	JV7 Velcro Strap
24	30652	5Q 5 quart Jug
25	JL	Jug Label
26	31226	J4676-1/4 Brass Adaptor
27	31227	J5053-200-SS Strainer
28	31228	JCP1322 Brass Body-2
29	31229	JK2B 1/4" Male Q/C

308 Order Online 24 Hours a Day • [www.baneclene.com](http://www.baneclene.com)

# ACCESSORIES

## Injection Sprayer Maintenance

SPRAY RINSE 5 - 10 SECONDS AT THE END OF EACH DAY WITH FRESH WATER IN THE CONTAINER TO RINSE OUT THE UNIT. THIS KEEPS THE INTERNAL PARTS FROM GETTING STICKY....

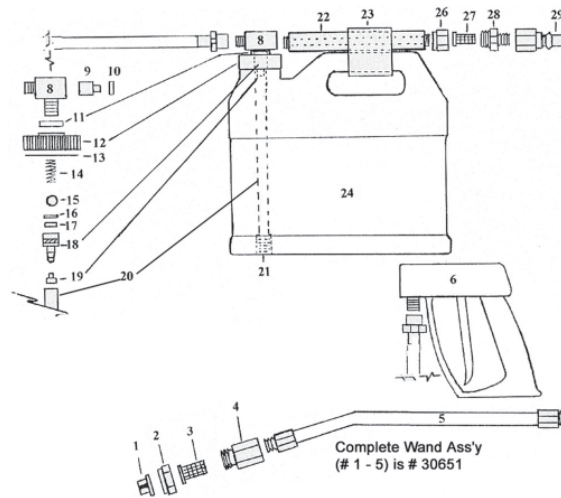
Parts #3 (30665), #21 (30669) and #27 (31227) must be kept clean.

Part #9 (31209) is the water nozzle. The water nozzle must be kept clean for good performance. If the hole in the water nozzle gets partially plugged, the ratio will be off. To inspect the water nozzle, remove the jug from the unit. Place the main body #8 (30658) in a vice and remove #7 (30647), the hose and #22 (31222), the insulated handle with a vice grip by pulling back the foam and gripping the brass pipe with the vice grip. Now, by holding #8 (30658) up to a light, you can see if the hole is clogged. The water nozzle hole can be cleaned with compressed air or a nylon bristle. BE CAREFUL NOT TO DISTORT THE HOLE SIZE BY USING A DRILL OR A NAIL. The water nozzle is made of brass which can be deformed easily. Distortion of the hole will cause poor performance with ratios being wrong. To remove the water nozzle, hit part #8 (30658) on a hard flat surface (like a vice) until the momentum pops out the water nozzle.

Parts #14 - #17 must be kept clean.

The stainless steel ball can sometimes stick to the "O" ring causing no draw. A four part repair kit, #8A (30657), is available. The interior "funnel" of part #8 (30658) inside where the hose screws onto part #8 (30658) must be kept clean. Residue can build up on the sides of the "funnel" causing a change in the performance of the unit.

THE UNIT MAY NOT OPERATE PROPERLY WHEN WATER SUPPLY TEMPERATURES ARE OVER 180 DEGREES. After long use, part #8 (30658) may have to be replaced because the valve is made of brass and the interior tubes drilled in the valve can be pitted and changed over time by minute particles and chemicals.



**NOTE: Parts not in bold are special order nonstocking items only.**

Order Toll-Free • 1-800-428-9512 309